

# PLANET / CL

# CITIZEN 6-6+6 / CL

# CITIZEN 9-9+9 / CL

Manuale di installazione, uso e manutenzione  
Manual for installation, use and maintenance  
*Manual de instalación, uso y mantención*  
*Notice d'installation, d'utilisation et d'entretien*  
INSTALLATIONS-, BEDIENUNGS- UND INSTANDHALTUNGSHANDBUCH



**DICHIARAZIONE DI CONFORMITÀ  
DECLARATION OF CONFORMITY  
DECLARACIÓN DE CONFORMIDAD  
DÉCLARATION DE CONFORMITÉ  
KONFORMITÄT SERKLÄRUNG**



Noi  
*We / El que suscribe /  
Nous / Wir*

**Dr. ZANOLLI s.r.l.**  
**Via Casa Quindici, 22**  
**37066 Caselle di Sommacampagna, VR**

dichiaro sotto la nostra esclusiva responsabilità che l'apparecchiatura  
*declare under our responsibility that the equipment / declara bajo su propia responsabilidad que el equipo /  
déclarons sous notre responsabilité que l'appareil / erklären in alleiniger Verantwortung, daß das Gerät*

**Marca**

*Manufactured by / Marca / Marque de fabrication / Bezeichnung*

**Modello**

*Model / Modelo / Model / Modell*

**N° di serie**

*Serial number / N° de serie / N° de série / Seriennummer*

**Anno di costruzione**

*Year of construction / Año de construcción / Année de construction / Baujahr*

come descritto nella documentazione allegata, è in conformità con le seguenti direttive europee  
*is in conformity with the following European Directives / es conforme con las siguientes Directivas europeas /  
est conforme aux suivantes Directives européennes / auf das sich diese Erklärung bezieht, mit den E - Normen*

**- 2014/35/CE Direttiva Bassa Tensione**

*Low Tension Directive / Directiva Baja Tension / Directive Basse Tension / Niederspannungsrichtlinie*

**- 2014/30/CE Direttiva Compatibilità Elettromagnetica**

*Electromagnetic Compatibility Directive / Directiva Compatibilidad Electromagnetica /  
Directive Compatibilité Electromagnétique / Elektromagnetische Verträglichkeit*

**- 1935/2004/CE Regolamento Oggetti destinati a venire in Contatto con i Prodotti Alimentari**

*Regulation for Equipment intended to come into Contact with Foodstuffs / Normativa para Equipos destinados a  
entrar en Contacto con Alimentos / Réglementation Objets destinés à venir en Contact avec des Produits  
Alimentaires / Gesetzliche Regelung der Gegenstände, die mit Lebensmitteln in Kontakt kommen*

**e con le norme cogenti alle direttive.**

*and with the compulsory regulations of the Directives / y con las normas ineludibles de las Directivas /  
et aux normes inéluctables des Directives / und mit den Zwangsvorschriften der Richtlinien, übereinstimm*

Caselle di Sommacampagna

**Dr. Zanolli s.r.l.**  
**Collaudatore**  
*Tester / Ensayador / Testateur / Prüfer*

## **INDEX**


<b>1. PRODUCT IDENTIFICATION.....</b>	<b>4</b>
<b>2. CONFORMITY WITH DIRECTIVES .....</b>	<b>4</b>
<b>3. TECHNICAL SPECIFICATIONS.....</b>	<b>4</b>
<b>4. PROVING CABINET INSTALLATION.....</b>	<b>5</b>
<b>4.1.Humidifier water connection (optionally) .....</b>	<b>5</b>
<b>5. CONTROL PANEL .....</b>	<b>6</b>
<b>6. WORKING .....</b>	<b>6</b>
<b>6.1.Humidifier working (optionally).....</b>	<b>6</b>
<b>7. PROVER SWITCH OFF.....</b>	<b>7</b>
<b>8. PROVER CLEANING .....</b>	<b>7</b>
<b>9. ELECTRICAL DIAGRAM.....</b>	<b>7</b>
<b>10.EXPLODED VIEWS AND SPARE PARTS LIST .....</b>	<b>9</b>

---

## 1. PRODUCT IDENTIFICATION

This manual refers to the Citizen 6 Modular/6+6 Bicamera, 9 Modular/9+9 Bicamera, Planet, Combi proving cabinets.

## 2. CONFORMITY WITH DIRECTIVES

The Citizen 6 Modular/6+6 Bicamera, 9 Modular/9+9 Bicamera, Planet, Combi proving cabinets bear the following compulsory mark  which guarantees their conformity to the following European directives:

2014/35/CE Low Tension Directive

2014/30/CE Electromagnetic Compatibility Directive

1935/2004/CE Regulation for Equipment intended to come into Contact with Foodstuffs.

## 3. TECHNICAL SPECIFICATIONS

The following table shows the proving cabinets' technical specifications.

	<b>6 / 6+6 CITIZEN PROVER</b>	<b>9 / 9+9 CITIZEN PROVER</b>	<b>PLANET PROVER</b>	<b>COMBI PROVER</b>	<b>Units of measure- ment</b>
Weight					Kg
External dimensions external width external depth	h 94 x w 137 x d 91	h 94 x w 137 x d 126	h 83 x w 80 x d 121	h 50 x w 102 x d 107	cm
Number of 60x40 baking sheets	20	20	10	6	n°
Electrical feed	single-phase				
Voltage	230				Vac
Frequency	50 o 60				Hz
Electricity	4.3	6.5	4.3	4.3	A
Electrical power	1	1.5	1	1	kW
Humidifier electrical power	1				kW
Electrical connection	Plugless 3 lead cable				
Cable length	2				m
Section of lead wires	2.5				mm <sup>2</sup>
Baking chamber light:					
Type	Fluorescent lamp				
Power	8				W
Max. temperature which can be set	90				°C
Ambient conditions:					
Temperature	0-40				°C
Maximum humidity	95% without condensation				

---

## 4. PROVING CABINET INSTALLATION

For the electrical connection of the proving cabinet, please refer to chapter 5.

See figure 10.1 for the exact position of the electrical feed input (1).

### 4.1. Humidifier water connection (optionally)

Connect the humidifier water inflow to the plumbing, with a cock.

Connect the water outflow of the humidifier-discharge to the plumbing (3). Verify that the water outflow discharges in a trap.

See Figure 10.1 for the exact position of the water in-and outflow.

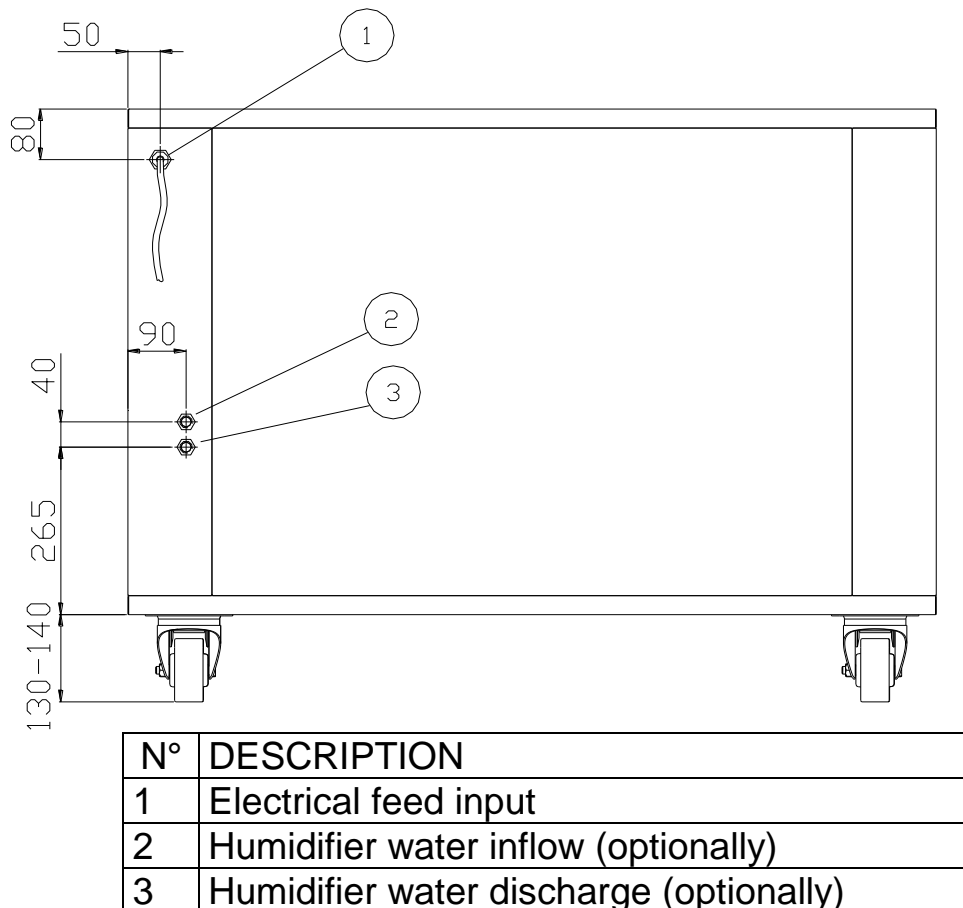


Fig.10.1 Connections position

### WARNING:

**Before giving current to the heating elements, remember to open the water inflow (only in the version supplied with humidifier).**

---

## 5. CONTROL PANEL

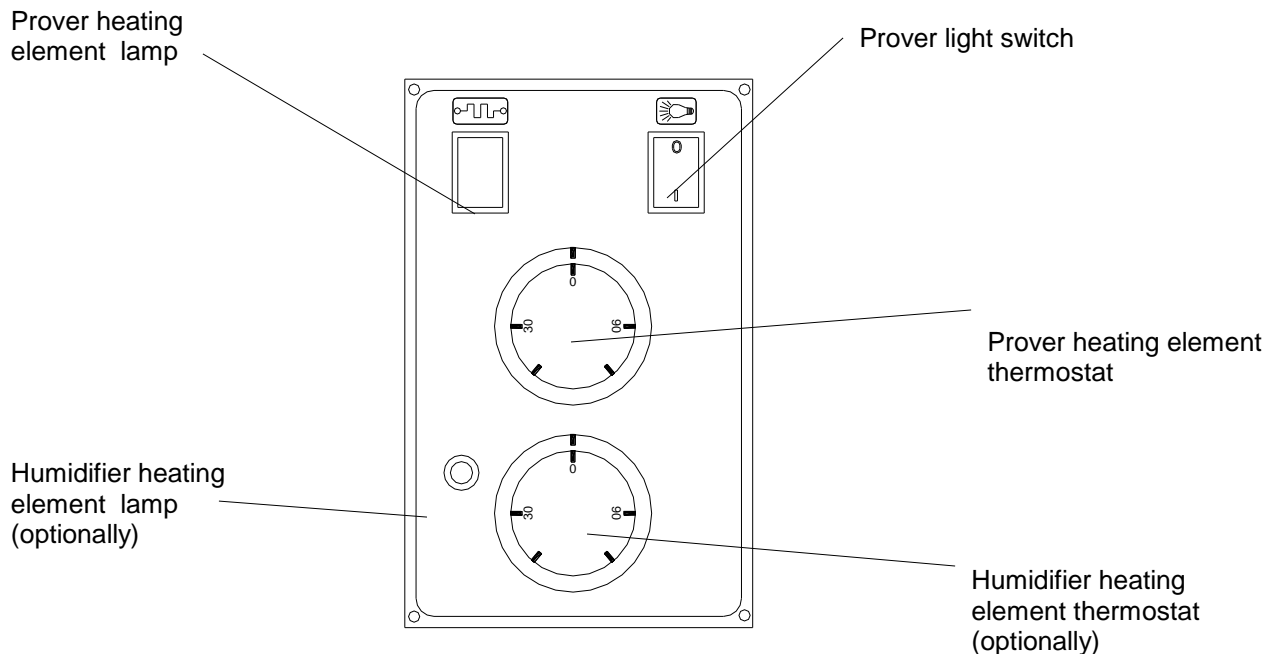




Fig. 10.2. Control panel

## 6. WORKING


Figure 10.2 shows the control panel with all controls.

To switch on the prover heating elements, move the prover heating element thermostat  and set a leavening temperature.

When the desired temperature has been set, the prover heating element lamp will switch on, , up to the settled temperature.

### 6.1. Humidifier working (optionally)


**WARNING: before using the humidifier, be sure that the in-outflow plumbing has been connected.**

Once the water has been put into the humidifier bowl, turn the humidifier heating element thermostat  (see Fig. 10.2), to heat the water and create in this way the desired humidity.

The humidifier is equipped with a float and a water level device.

---

## 7. PROVER SWITCH OFF

At the end of each working day, put the thermostat indicator  on the position 0, and possibly close the water inflow cock.

In case of extended periods of idleness (for example for vacations), it is advisable to turn off the main switch on the electrical panel.

## 8. PROVER CLEANING

See cleaning chapter in the oven manual.

## 9. ELECTRICAL DIAGRAM

Figure 10.3 shows the electrical diagram at 230Vac single phase.

Figure 10.4 shows the electrical diagram at 230Vac single phase with humidifier (optionally).

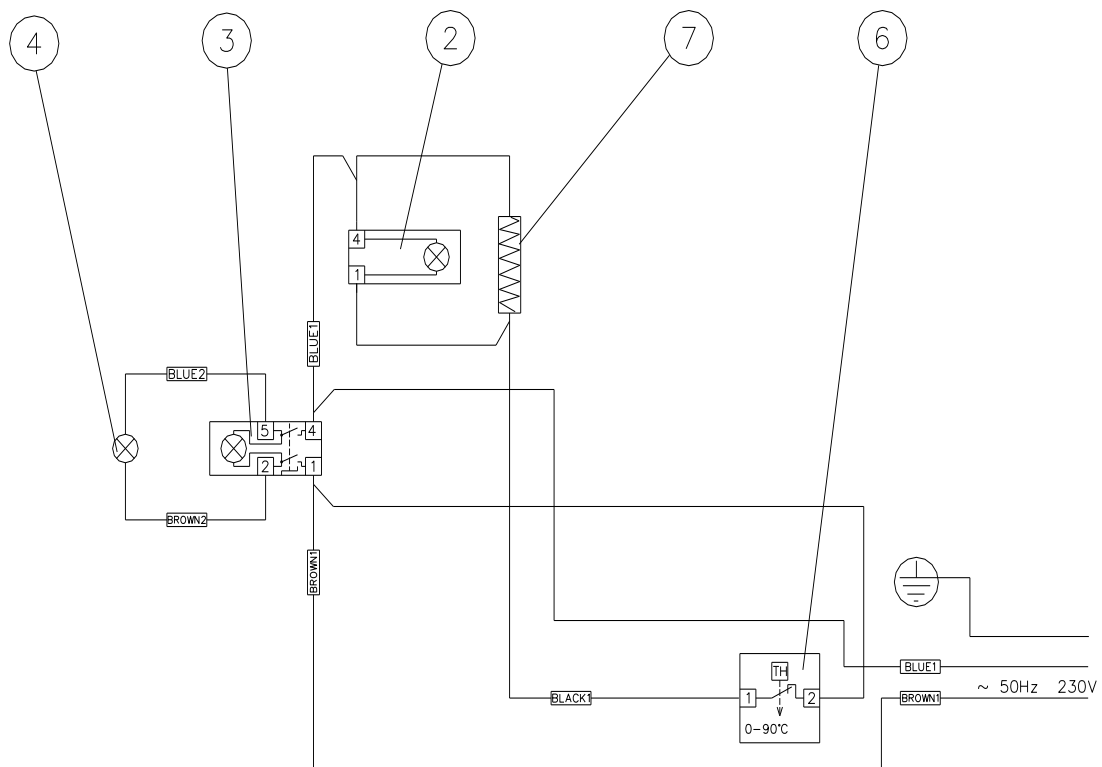


Fig. 10.3 - Electrical diagram at 230Vac single phase

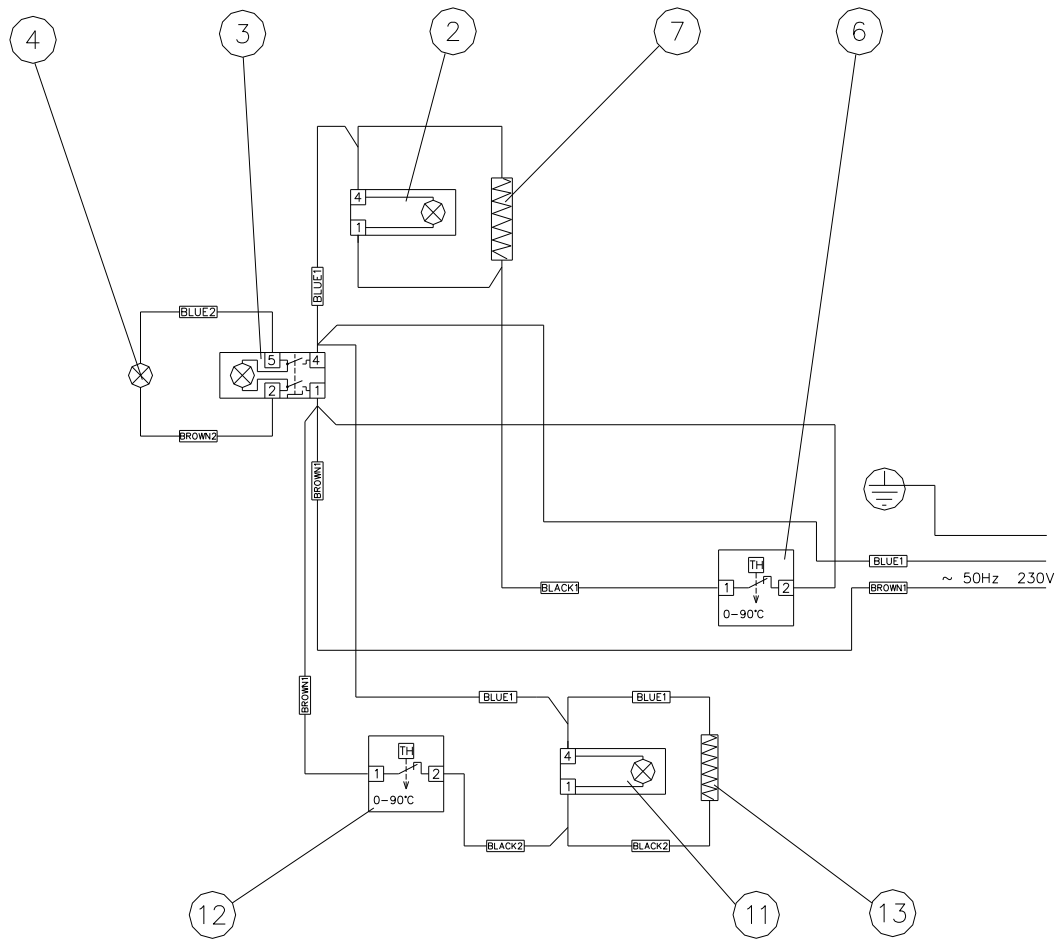


Fig.10.4 - Electrical diagram at 230Vac single phase with humidifier (optionally).



---

## 10. EXPLODED VIEWS AND SPARE PARTS LIST

In order to simplify the breakdown search and any necessary replacement of damaged parts, we give a list of spare parts and exploded diagrams showing each of the listed parts.

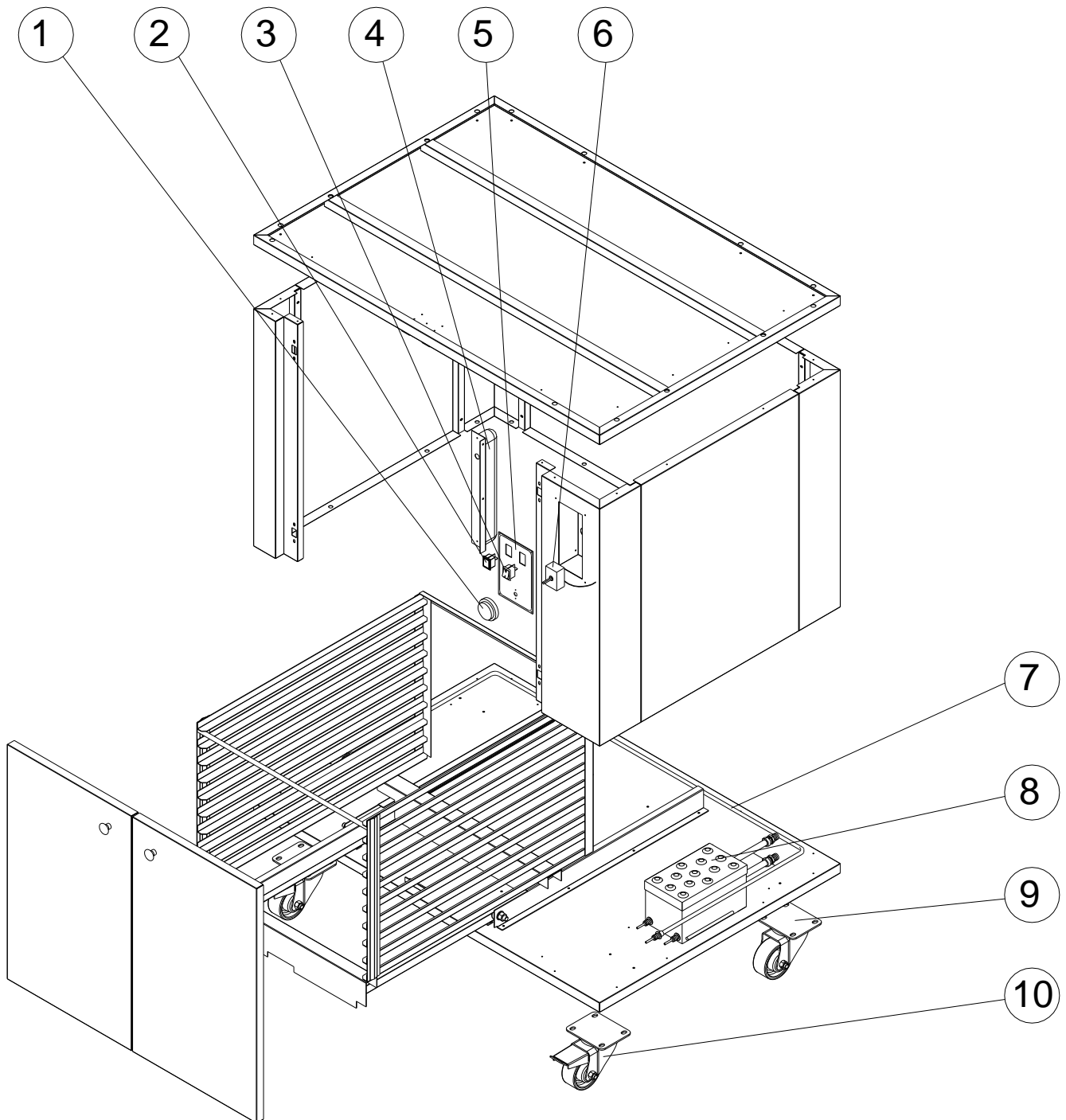


Fig. 10.5 - Prover exploded view

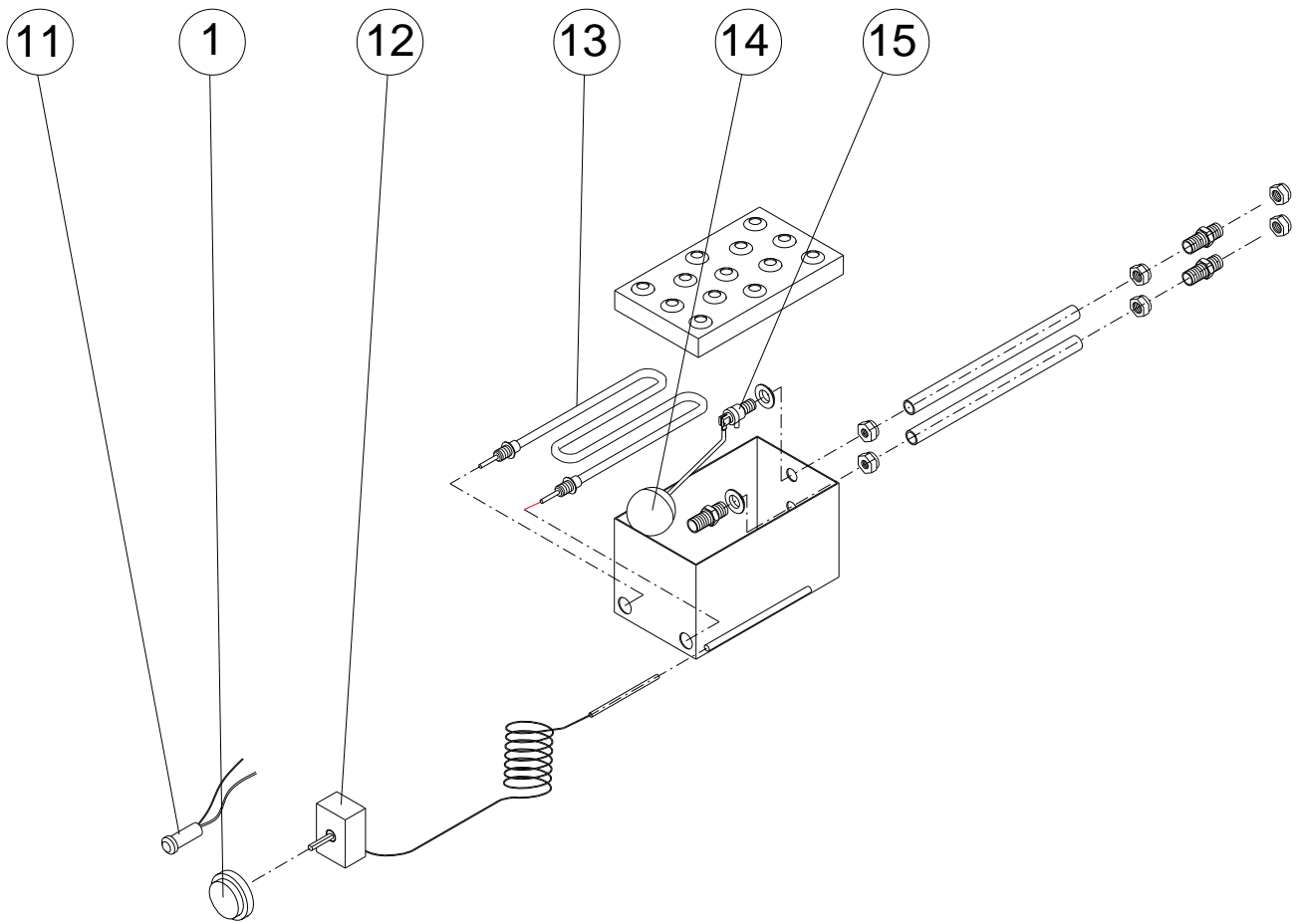


Fig. 10.6 - Humidifier exploded view (optionally)

N°	Description	Code		
		CITIZEN 6 / 6+6, COMBI	CITIZEN 9 / 9+9	PLANET
1	Prover heating Element thermostat knob	MANI0110	MANI0110	MANI0110
2	Light	LAMP0068	LAMP0068	LAMP0068
3	Switch 0-1	INTE0037	INTE0037	INTE0037
4	Lamp	LAMP0048	LAMP0048	LAMP0048
5	Control panel	PANN0137	PANN0137	PANN0137
6	Prover heating Element thermostat	TERM0002	TERM0002	TERM0002
7	Prover heating element	RESI0008	RESI0005	RESI0008
8	Humidifier kit (only upon request)			
9	Wheels without brakes	RUOT0016	RUOT0016	RUOT0017
10	Wheels with brakes	RUOT0001	RUOT0001	RUOT0003
11	Humidifier light (optionally)	LAMP0069	LAMP0069	LAMP0069
12	Humidifier heating Element thermostat (optionally)	TERM0002	TERM0002	TERM0002
13	Humidifier Heating element (optionally)	RESI0016	RESI0016	RESI0016
14	Float (optionally)	GASI0011	GASI0011	GASI0011
15	Humidifier floating bar 3/8" (optionally)	GASI0013	GASI0013	GASI0013

TAB. 10.1 Spare-parts list prover



**Separate collection. This product must not be disposed of with normal household waste. Local regulations may provide for separate collection of this kind of product.**

Dr. Zanolli s.r.l.  
Via Casa Quindici, 22  
37066 Caselle di Sommacampagna VR  
Tel. +39-0458581500 Fax +39-0458581455  
VAT N.IT00213620230